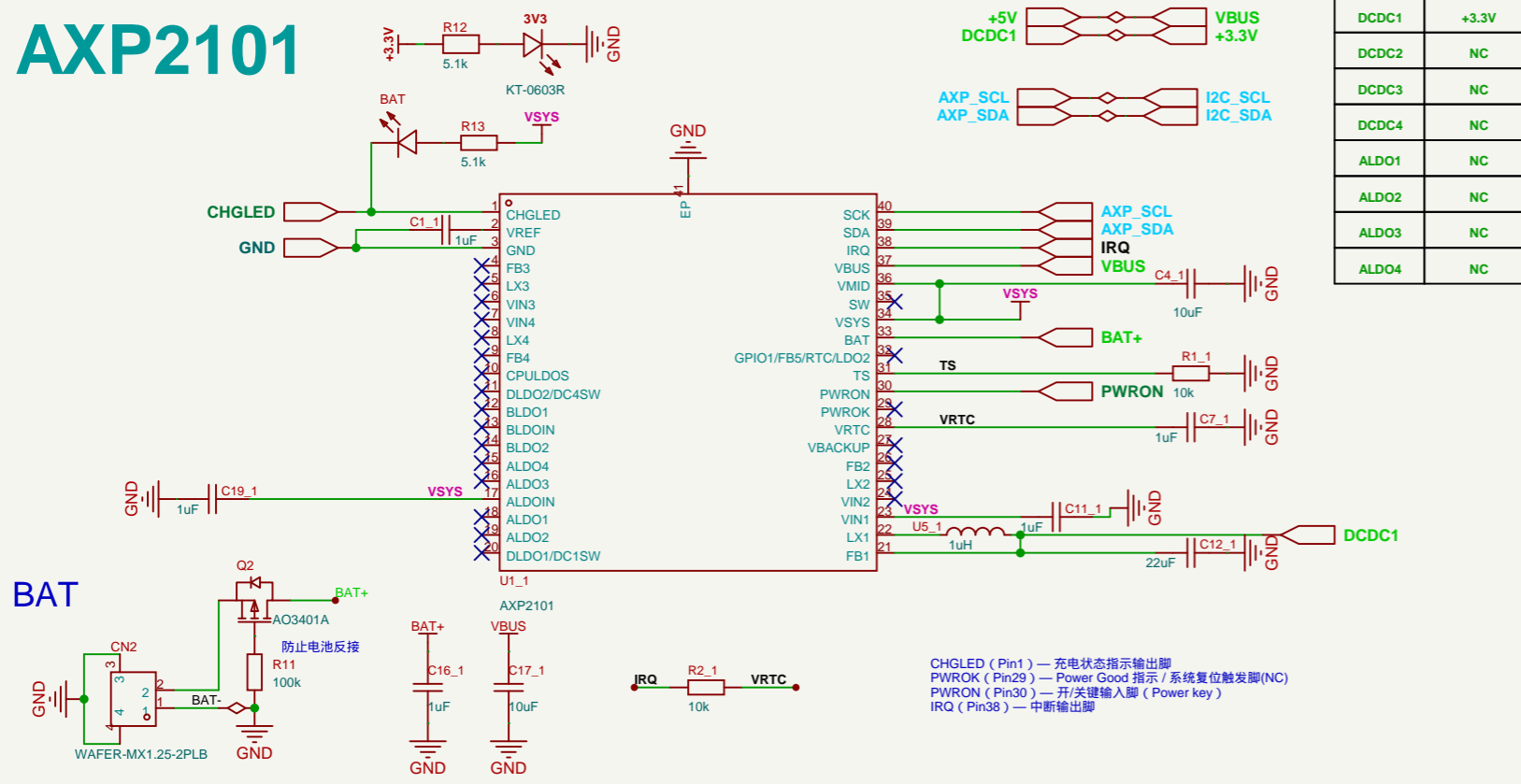
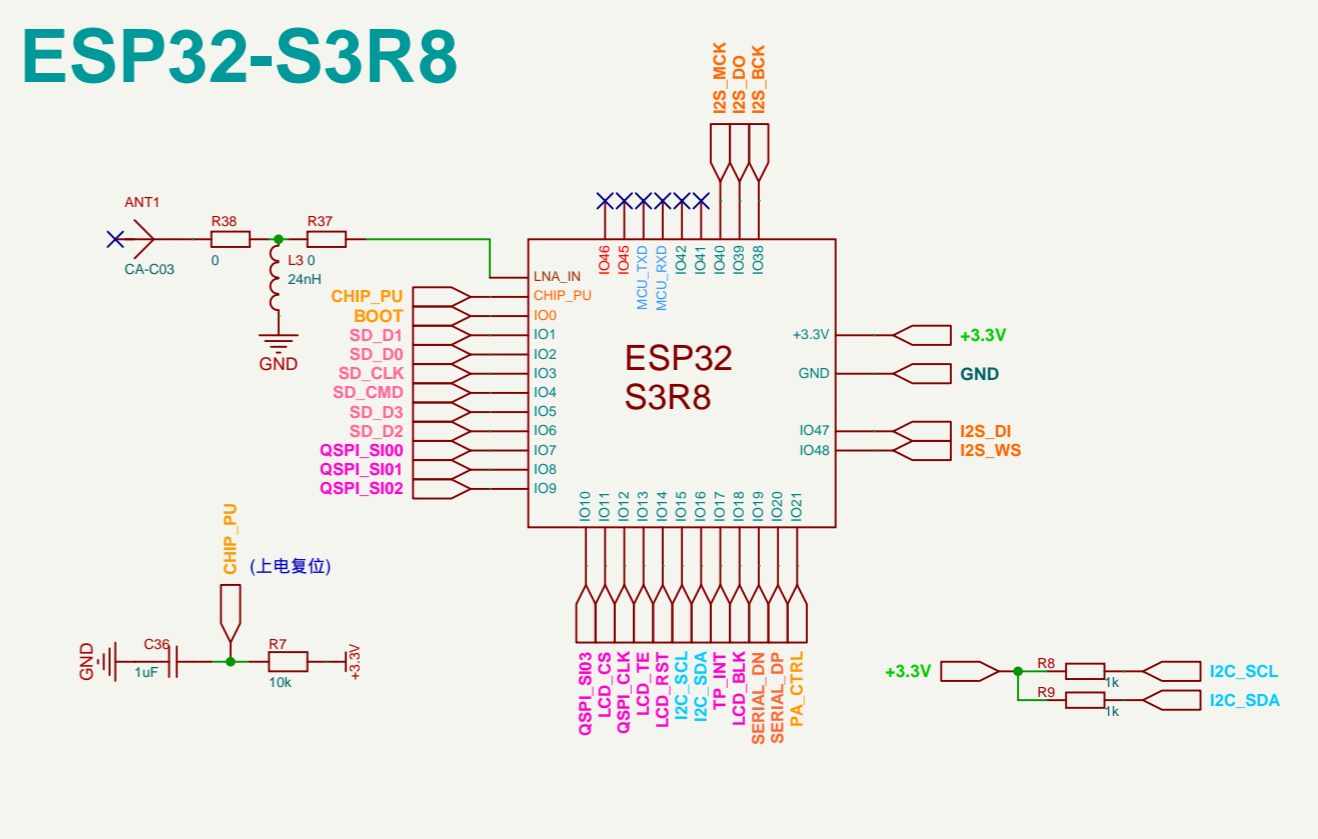


AXP2101

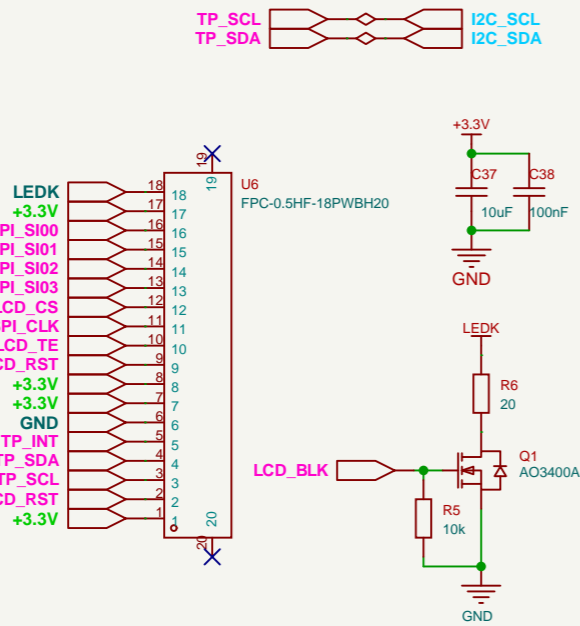


ESP32-S3R8

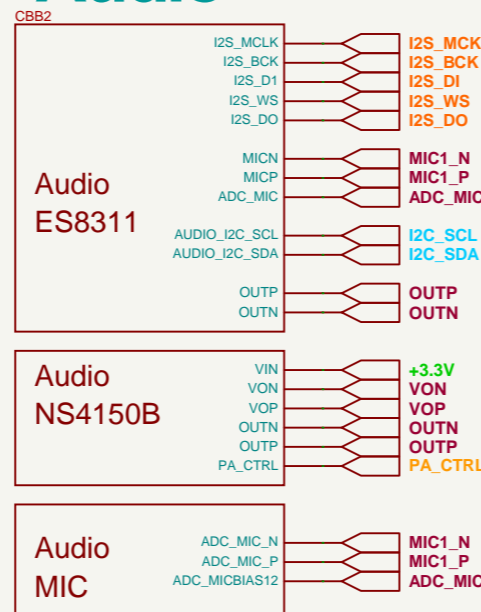


1.85IN TFT

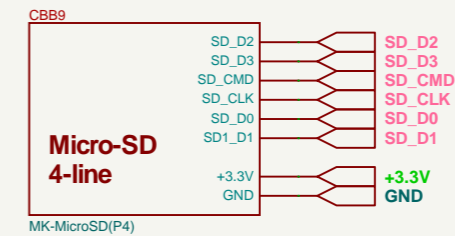
No.	Symbol
1	LEDK
2	LEDA
3	SDA0
4	SDA1
5	SDA2
6	SDA3
7	CS
8	SCL
9	SDA
10	RST
11	IOVCC
12	VCC
13	GND
14	TP_INT
15	TP_SDA
16	TP_SCL
17	TP_RST
18	TP_VCC



Audio

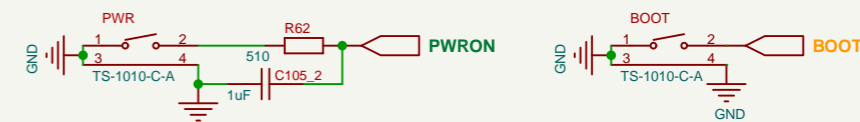


MICRO-SD

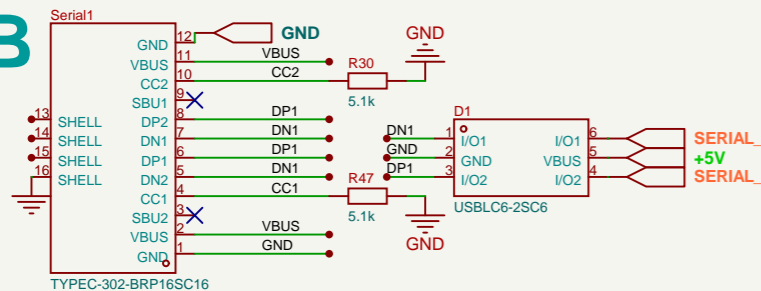


BUTTON

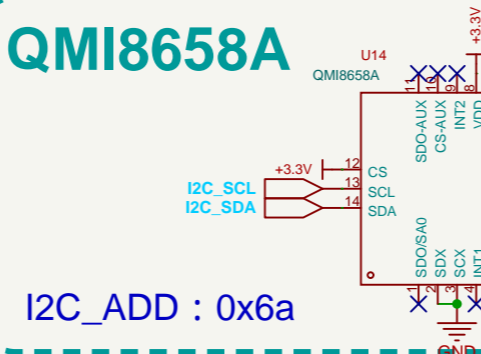
AXP2101



USB

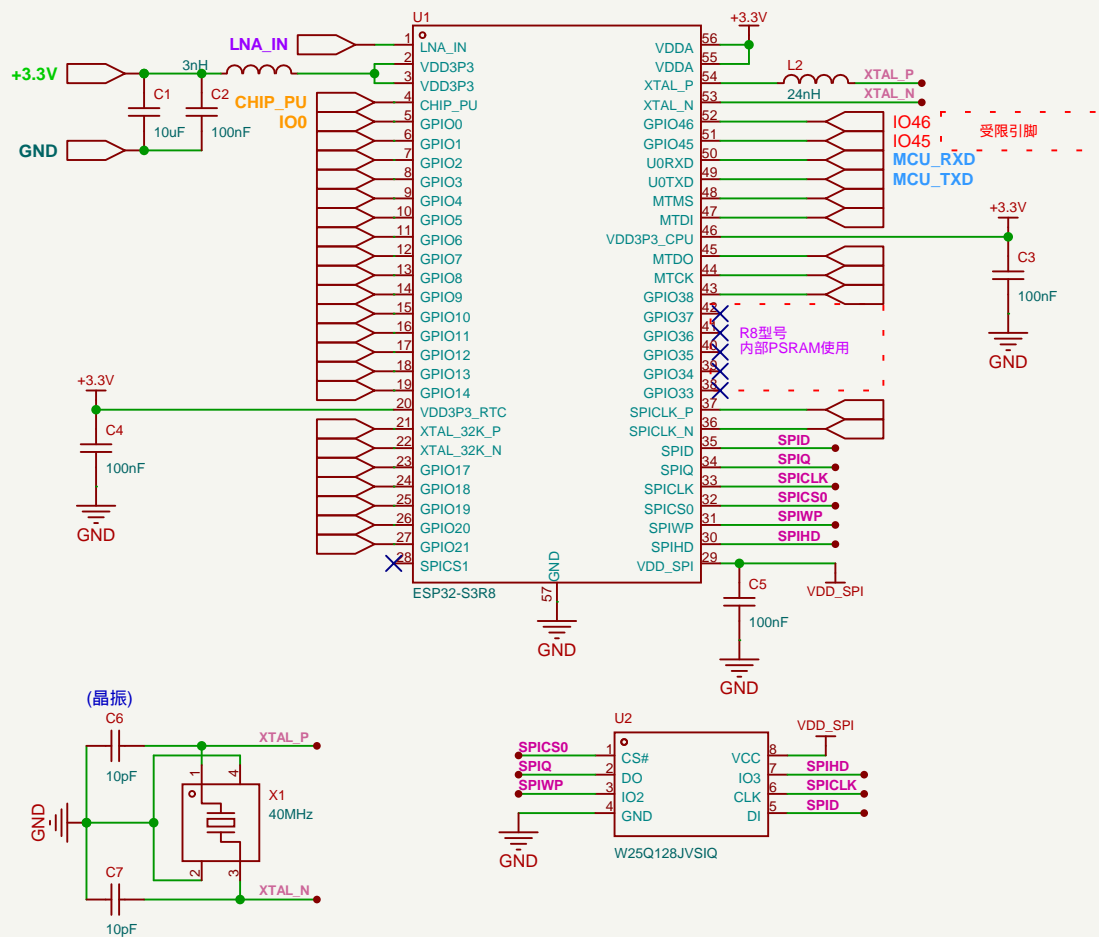


QMI8658A

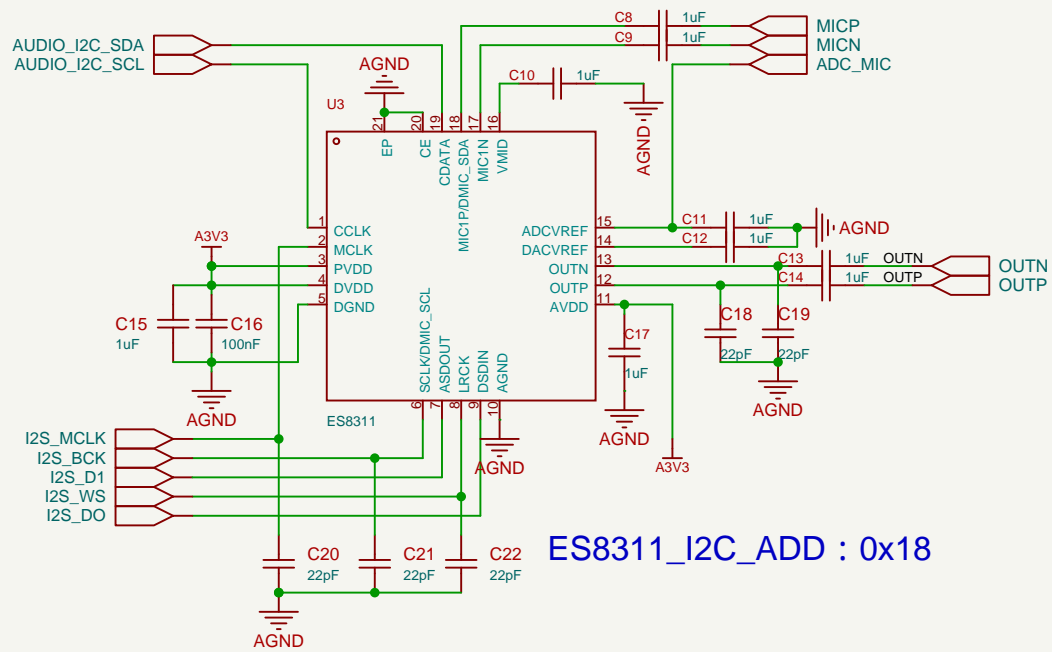


Schematic	Schematic1	Update Date	2026-04-08
Page	P1	Create Date	2026-04-08
Drawn		Part Number	
Reviewed		esp32s3-1.8in-hl	
		VER	SIZE
		V1.0	A4
		PAGE	1 OF 1
		嘉立创EDA	

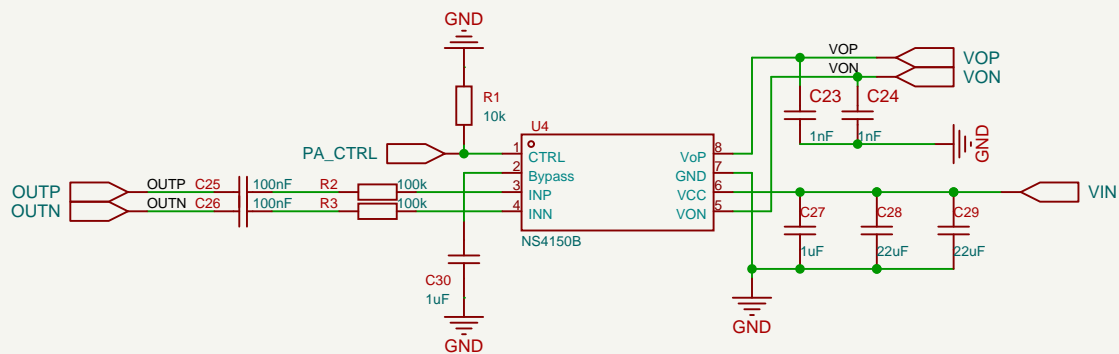
MCU ESP32-S3




Schematic	MK-MCU-ESP32S3-R8	Update Date	2026-04-06		
		Create Date	2026-04-06		
Page	P1		Part Number		
Drawn	esp32s3-1.8in-hl				
Reviewed					
	VER	SIZE	PAGE	1	OF 1
嘉立创EDA		V1.0	A4	嘉立创EDA	

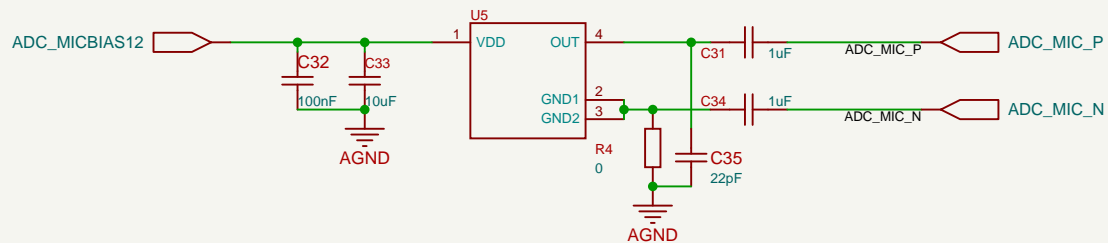



Schematic	MK-Audio-ES8311-单麦		Update Date	2026-04-06		
			Create Date	2026-04-06		
Page	P1		Part Number			
Drawn			esp32s3-1.8in-hl			
Reviewed						
	VER	SIZE	PAGE	1	OF	1
嘉立创EDA		V1.0	A4	嘉立创EDA		

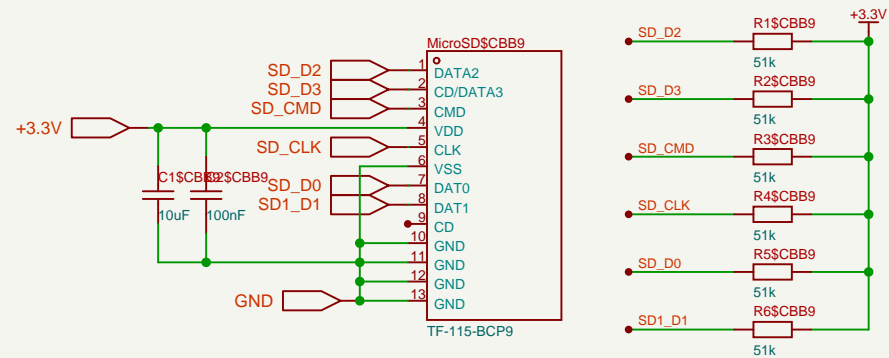


放大倍数 = 240k / RIN

Schematic	MK-Audio-NS4150B		Update Date	2026-04-06	
			Create Date	2026-04-06	
Page	P1		Part Number		
Drawn			esp32s3-1.8in-hl		
Reviewed					
	VER	SIZE	PAGE	1	OF 1
		V1.0	A4	嘉立创EDA	



Schematic	MK-Audio-MICBIAS		Update Date	2026-04-06		
			Create Date	2026-04-06		
Page	P1		Part Number			
Drawn			esp32s3-1.8in-hl			
Reviewed						
	VER	SIZE	PAGE	1	OF	1
		V1.0	A4	嘉立创EDA		



Schematic	MK-MicroSD(P4)			Update Date	2026-04-07
				Create Date	2026-04-07
Page	P1			Part Number	
Drawn		esp32s3-1.8in-hl			
Reviewed					
	VER	SIZE	PAGE	1	OF 1
嘉立创EDA		V1.0	A4	嘉立创EDA	